

# Product data sheet

## Characteristics

# QOB340

Mini circuit breaker, QO, 40A, 3 pole, 120/240 VAC, 10 kA, bolt on mount

Product availability : Stock - Normally stocked in distribution facility



### Main

Product	Miniature circuit-breaker
Range	QO
Current Rating	40 A
Voltage Rating	120/240 V AC 240 V AC 120 V AC 48 V DC
Mounting Type	Bolt-on
Number of Poles	3P
Circuit Breaker Type	Standard
Ratings	HACR rated
Electrical Connection	Box lugs

### Complementary

Interrupt Rating	10 kA 120/240 V AC 50/60 Hz 10 kA 240 V AC 50/60 Hz 10 kA 120 V AC 50/60 Hz 5 kA 48 V DC
Number of Panel Spaces	3
Wire Size	AWG 8...AWG 2 copper or aluminium
Tightening Torque	44.25 lbf.in (5 N.m) 0.02...0.04 in <sup>2</sup> (10...25 mm <sup>2</sup> ) AWG 8...AWG 2)
Height	3.12 in (79.25 mm)
Width	2.25 in (57.15 mm)
Depth	2.91 in (73.91 mm)

\* Price is "List Price" and may be subject to a trade discount – check with your local distributor or retailer for actual price.

## Environment

Certifications	UL Listed CSA
Ambient Rating	104 °F (40 °C)

## Ordering and shipping details

Category	00015 - QOB CIRCUIT BREAKERS
Discount Schedule	DE2
GTIN	00785901417149
Nbr. of units in pkg.	3
Package weight(Lbs)	3 lb(US) (1.36 kg)
Returnability	Yes
Country of origin	MX

## Packing Units

Unit Type of Package 1	PCE
Package 1 Height	2.30 in (5.842 cm)
Package 1 width	3.50 in (8.89 cm)
Package 1 Length	3.50 in (8.89 cm)
Unit Type of Package 2	BB1
Number of Units in Package 2	3
Package 2 Weight	2.60 lb(US) (1.179 kg)
Package 2 Height	3.70 in (9.398 cm)
Package 2 width	3.50 in (8.89 cm)
Package 2 Length	7.10 in (18.034 cm)
Unit Type of Package 3	CAR
Number of Units in Package 3	36
Package 3 Weight	31.90 lb(US) (14.47 kg)
Package 3 Height	3.70 in (9.398 cm)
Package 3 width	14.40 in (36.576 cm)
Package 3 Length	21.60 in (54.864 cm)

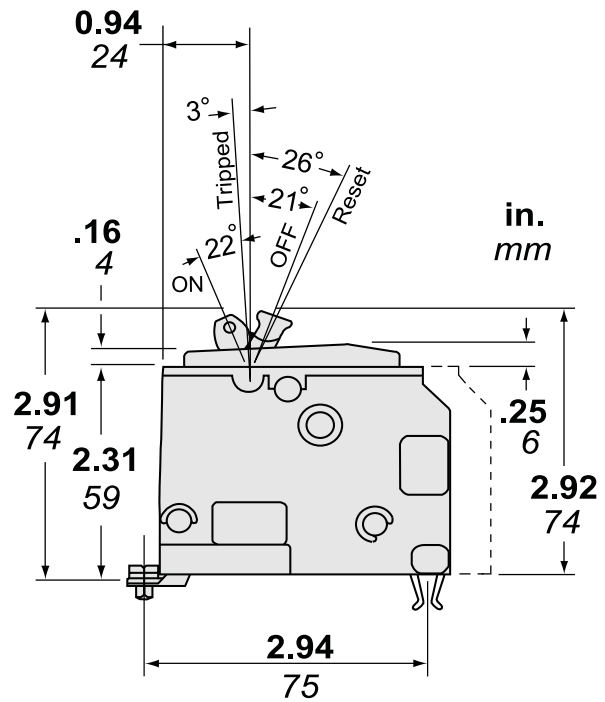
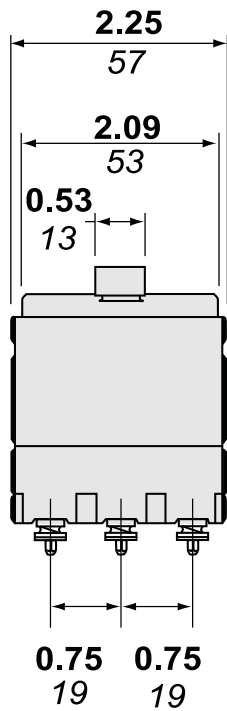
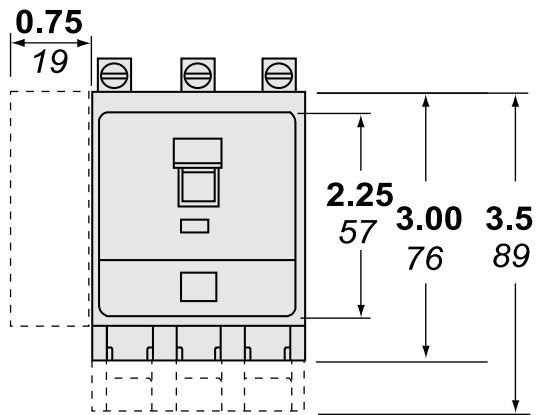
## Offer Sustainability

Sustainable offer status	Green Premium product
REACH Regulation	<a href="#">REACH Declaration</a>
REACH free of SVHC	Yes
EU RoHS Directive	Compliant <a href="#">EU RoHS Declaration</a>
Toxic heavy metal free	Yes
Mercury free	Yes
RoHS exemption information	<a href="#">Yes</a>
China RoHS Regulation	<a href="#">China RoHS declaration</a> Pro-active China RoHS declaration (out of China RoHS legal scope)
Environmental Disclosure	<a href="#">Product Environmental Profile</a>
Halogen content performance	Halogen free product

## Contractual warranty

Warranty	18 months
----------	-----------

Dimensions



Dimensions are approximate. Refer to technical documentation for additional detail.